

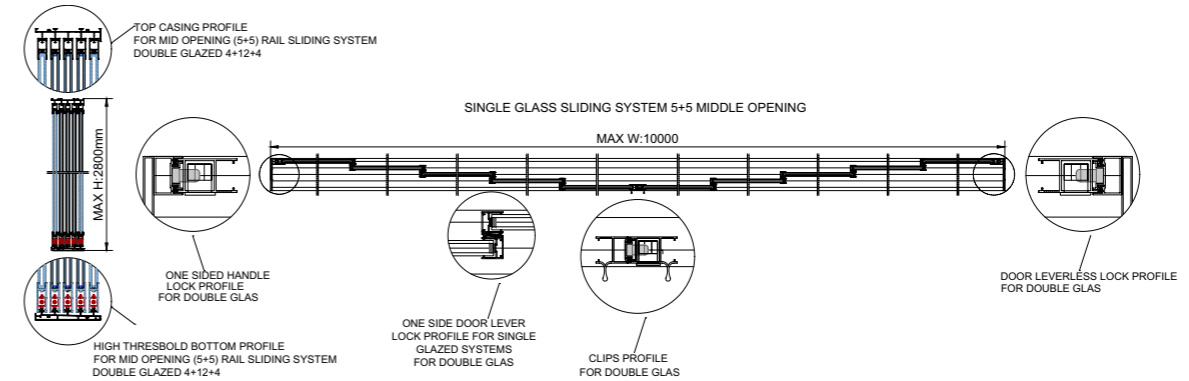
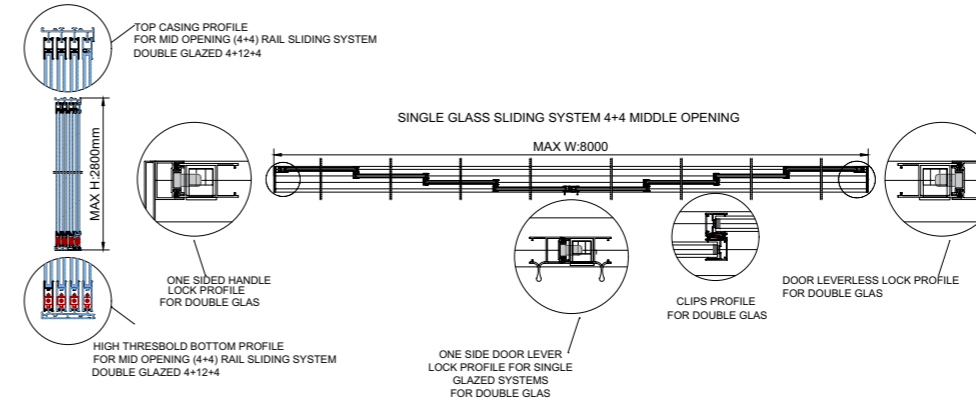
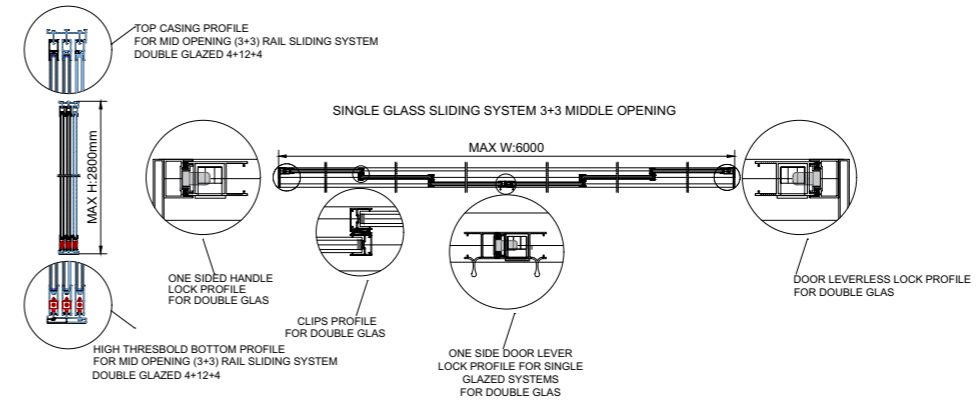
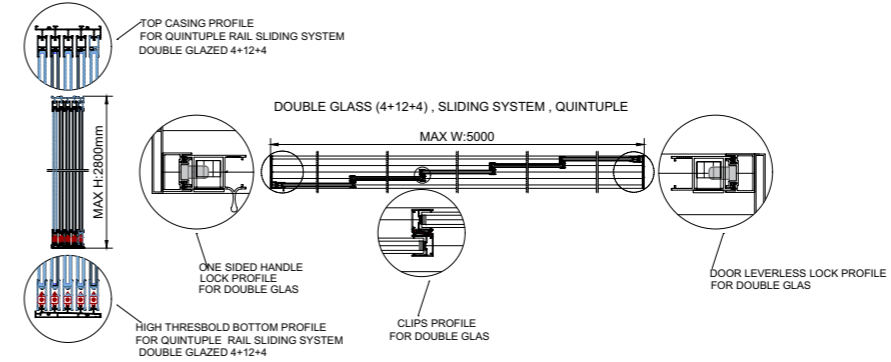
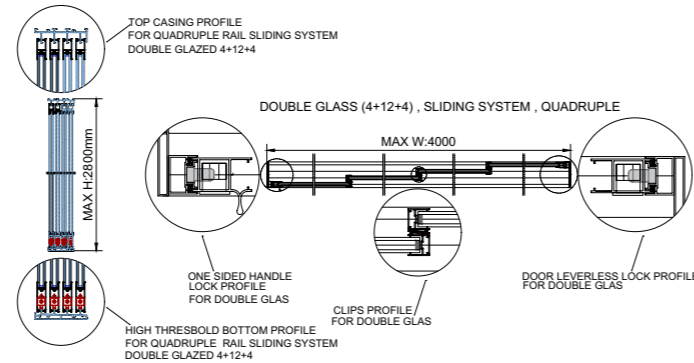
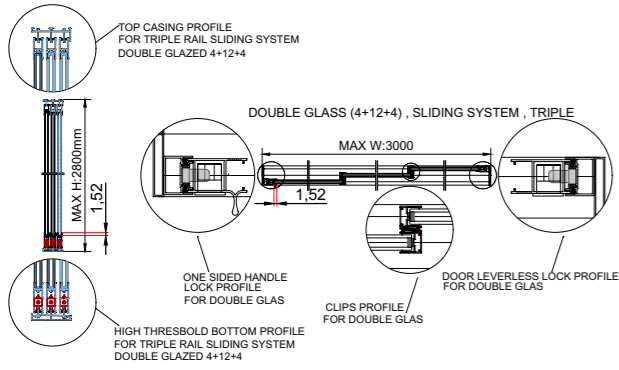
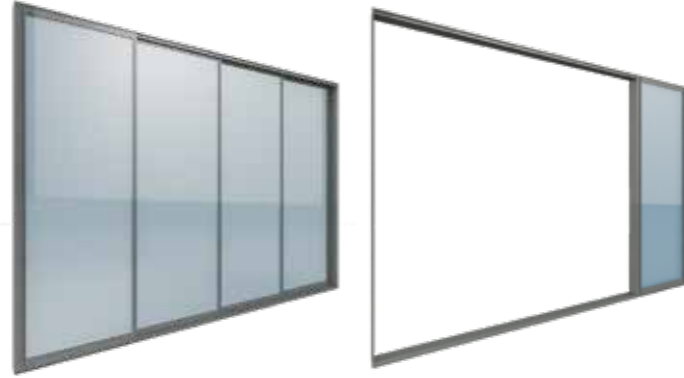
Slide Motion Insulated 4+12+4



www.vertiglass.com.tr

Slide Motion Insulated 4+12+4

Dimensions in mm Boyutlar mm

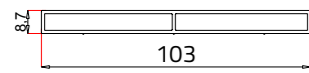


Prices for sliding glass systems are calculated in m².
Please contact your sale representative for more details.
if height is under 250 cm for sliding glass, its height is calculated as 250 cm.

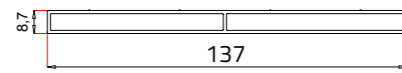
Sürgülü cam sistemleri fiyatları m² olarak hesaplanmıştır.
Daha fazla bilgi için lütfen satış temsilcinize danışın.
Sürgülü cam yüksekliği 250 cm'nin altında ise yüksekliği 250 cm olarak hesaplanır.

Slide Motion Insulated 4+12+4 Detail

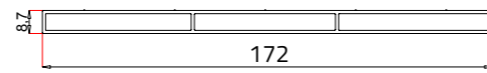
Dimensions in mm Boyutlar mm



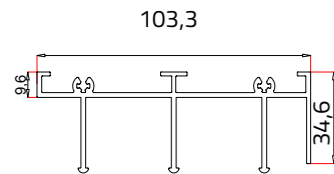
SIDE CASING PROFILE FOR TRIPLE RAIL SLIDE SYSTEM CODE: PA00165



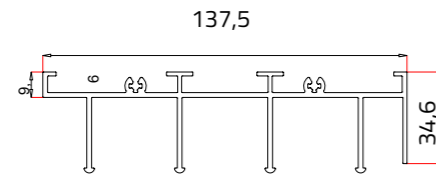
SIDE CASING PROFILE FOR QUADRUPLE RAIL SLIDE SYSTEM CODE: PA00168



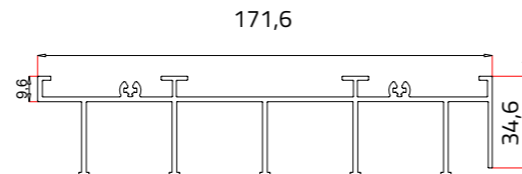
SIDE CASING PROFILE FOR QUINTUPLE RAIL SLIDE SYSTEM CODE: PA00171



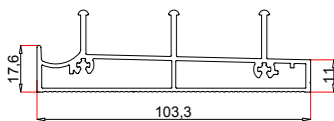
TOP CASING PROFILE FOR TRIPLE RAIL SLIDE SYSTEM CODE: PA00163



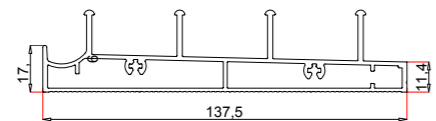
TOP CASING PROFILE FOR QUADRUPLE RAIL SLIDE SYSTEM CODE: PA00166



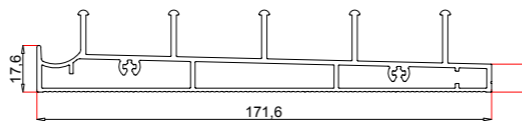
TOP CASING PROFILE FOR QUINTUPLE RAIL SLIDE SYSTEM CODE: PA00169



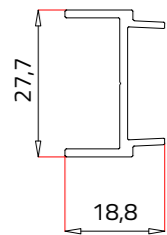
HIGH THRESHOLD BOTTOM PROFILE FOR TRIPLE SLIDE SYSTEM CODE: PA00164



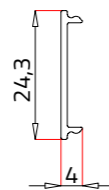
HIGH THRESHOLD BOTTOM PROFILE FOR QUADRUPLE RAIL SLIDE SYSTEM CODE: PA00167



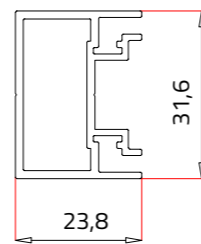
HIGH THRESHOLD BOTTOM PROFILE FOR QUINTUPLE RAIL SLIDE SYSTEM CODE: PA00171



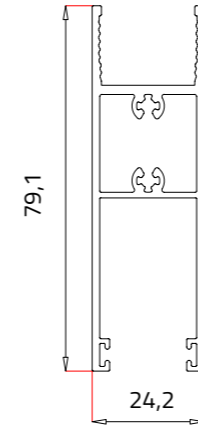
LOCKING ADAPTOR PROFILE CODE: PA00182



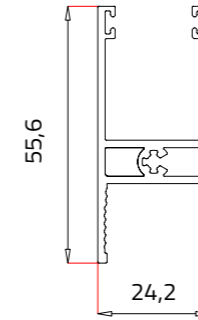
COVER FOR CLIPS PROFILE CODE: PA00181



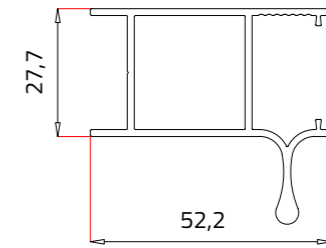
"U" PROFILE FOR WALL CASING PROFILE CODE: PA00172



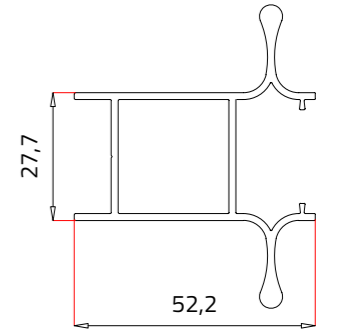
BOTTOM BASE PROFILE FOR DOUBLE GLAZED SYSTEMS CODE: PA00189



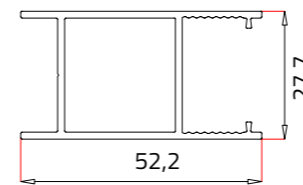
HIGH BASE PROFILE FOR DOUBLE GLAZED SYSTEMS CODE: PA00190



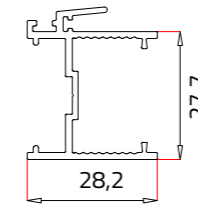
ONE SIDE DOOR LEVER LOCK PROFILE FOR DOUBLE GLAZED SYSTEMS CODE: PA00183



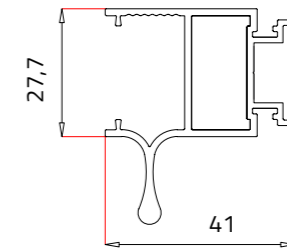
TWO SIDE DOOR LEVER LOCK PROFILE FOR DOUBLE GLAZED SYSTEMS CODE: PA00185



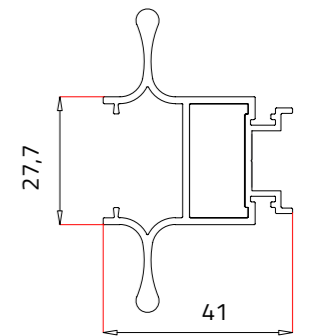
DOOR LEVERLESS LOCK PROFILE FOR DOUBLE GLAZED SYSTEMS CODE: PA00187



CLIP PROFILE FOR DOUBLE GLAZED SYSTEMS CODE: PA00188



ONE SIDE DOOR LEVER LOCK PROFILE FOR DOUBLE GLAZED SYSTEMS CODE: PA00184



TWO SIDE DOOR LEVER LOCK PROFILE FOR DOUBLE GLAZED SYSTEMS CODE: PA00186

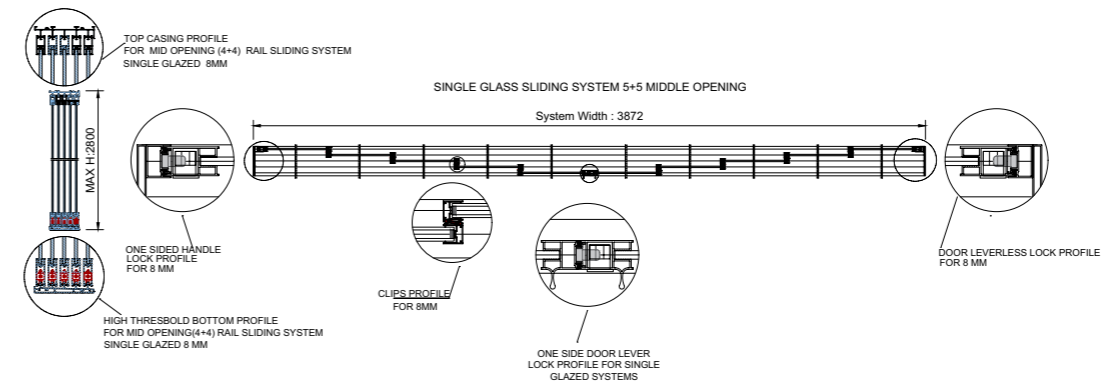
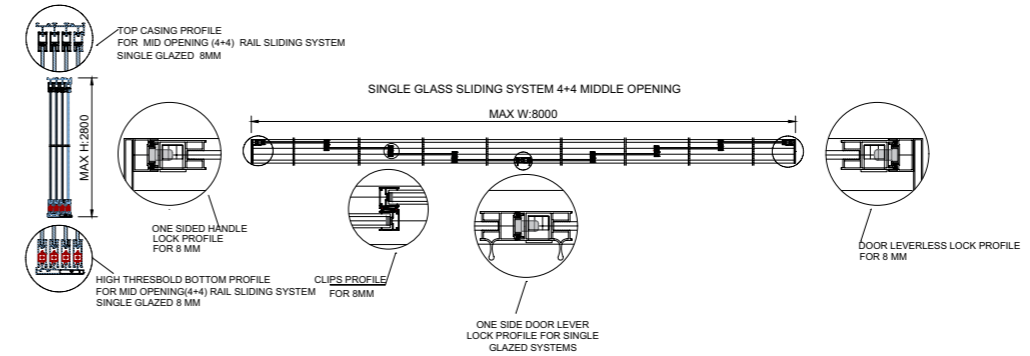
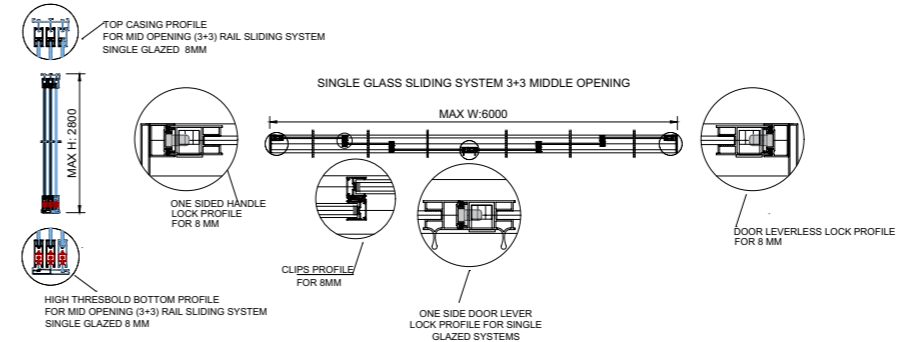
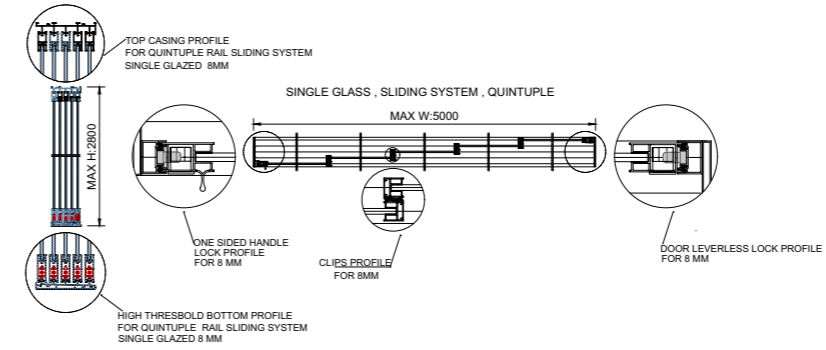
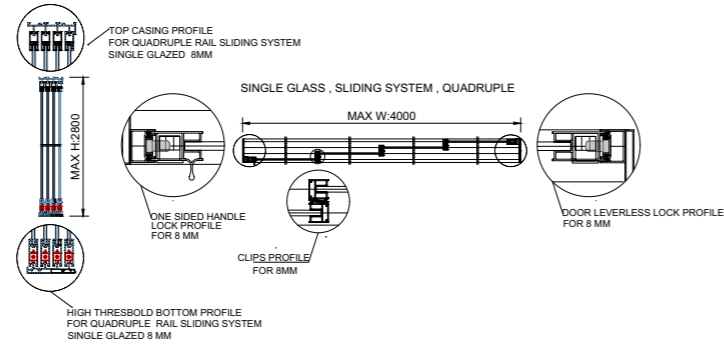
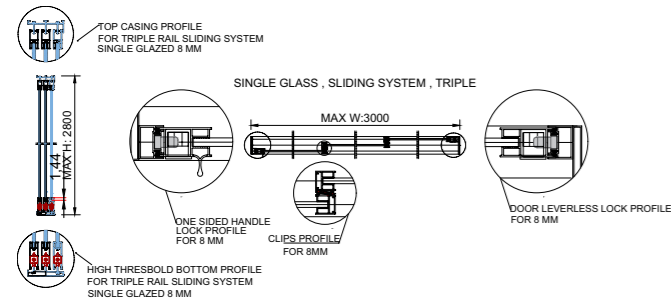
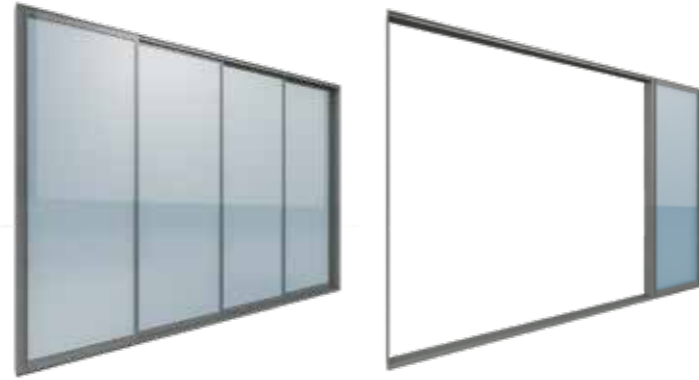
Slide Motion 8 mm



www.vertiglass.com.tr

Slide Motion 8 mm

Dimensions in mm Boyutlar mm

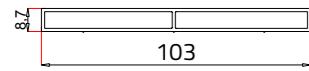


Prices for sliding glass systems are calculated in m².
Please contact your sale representative for more details.
if height is under 250 cm for sliding glass, its height is calculated as 250 cm.

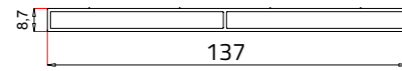
Sürgülü cam sistemleri fiyatları m² olarak hesaplanmıştır.
Daha fazla bilgi için lütfen satış temsilcinize danışın.
Sürgülü cam yüksekliği 250 cm'nin altında ise yüksekliği 250 cm olarak hesaplanır.

Slide Motion 8 mm Detail

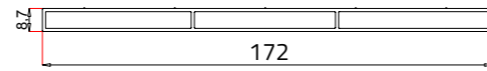
Dimensions in mm Boyutlar mm



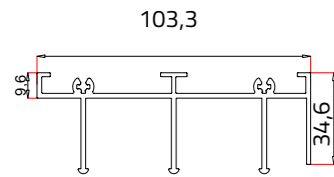
SIDE CASING PROFILE FOR TRIPLE RAIL SLIDE SYSTEM
CODE: PA00165



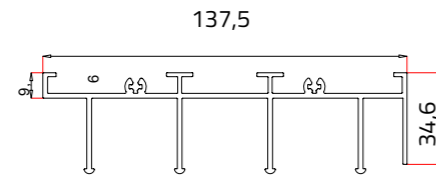
SIDE CASING PROFILE FOR QUADRUPLE RAIL SLIDE SYSTEM
CODE: PA00168



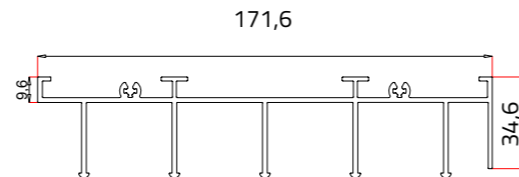
SIDE CASING PROFILE FOR QUINTUPLE RAIL SLIDE SYSTEM
CODE: PA00171



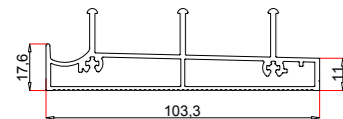
TOP CASING PROFILE FOR TRIPLE RAIL SLIDE SYSTEM
CODE: PA00163



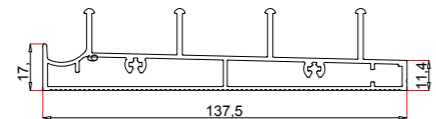
TOP CASING PROFILE FOR QUADRUPLE RAIL SLIDE SYSTEM
CODE: PA00166



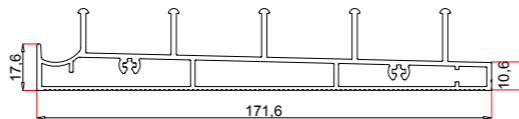
TOP CASING PROFILE FOR QUINTUPLE RAIL SLIDE SYSTEM
CODE: PA00169



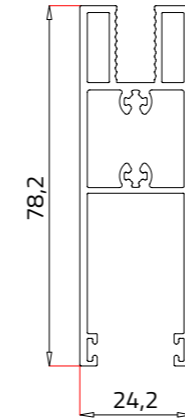
HIGH THRESHOLD BOTTOM PROFILE FOR TRIPLE SLIDE SYSTEM
CODE: PA00164



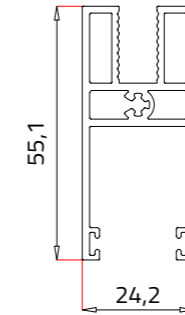
HIGH THRESHOLD BOTTOM PROFILE FOR QUADRUPLE RAIL SLIDE SYSTEM
CODE: PA00167



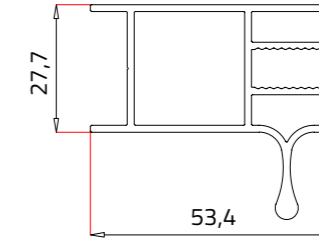
HIGH THRESHOLD BOTTOM PROFILE FOR QUINTUPLE RAIL SLIDE SYSTEM
CODE: PA00171



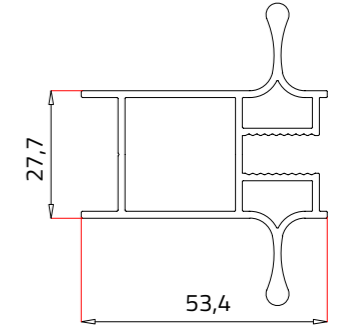
BOTTOM BASE PROFILE FOR SINGLE GLAZED SYSTEMS
CODE: PA00179



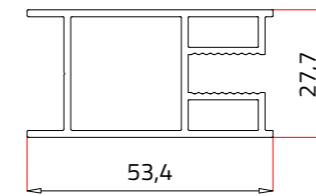
HIGH BASE PROFILE FOR SINGLE GLAZED SYSTEMS
CODE: PA00180



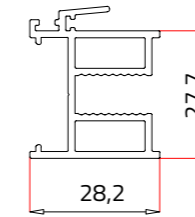
ONE SIDE DOOR LEVER LOCK PROFILE FOR SINGLE GLAZED SYSTEMS
CODE: PA00174



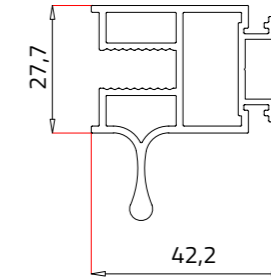
TWO SIDE DOOR LEVER LOCK PROFILE FOR SINGLE GLAZED SYSTEMS
CODE: PA00174



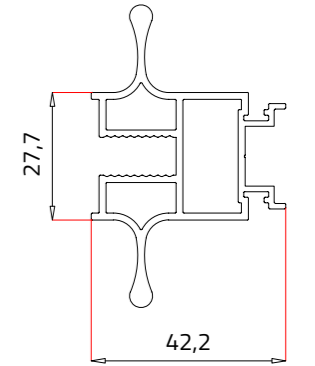
DOOR LEVERLESS LOCK PROFILE FOR SINGLE GLAZED SYSTEMS
CODE: PA00177



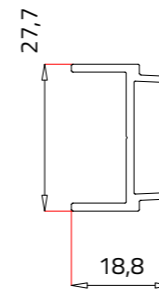
CLIP PROFILE FOR SINGLE GLAZED SYSTEMS
CODE: PA00178



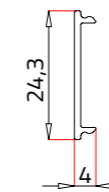
ONE SIDE DOOR LEVER LOCK PROFILE FOR SINGLE GLAZED SYSTEMS
CODE: PA00174



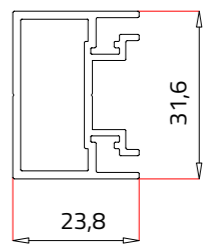
TWO SIDE DOOR LEVER LOCK PROFILE FOR SINGLE GLAZED SYSTEMS
CODE: PA00176



LOCKING ADAPTOR PROFILE
CODE: PA00182



COVER FOR CLIPS PROFILE
CODE: PA00181



"U" PROFILE FOR WALL CASING PROFILE
CODE: PA00172

